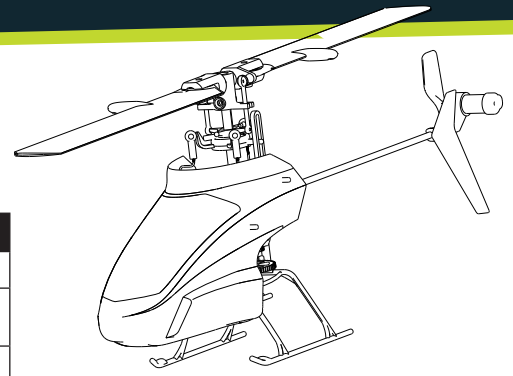


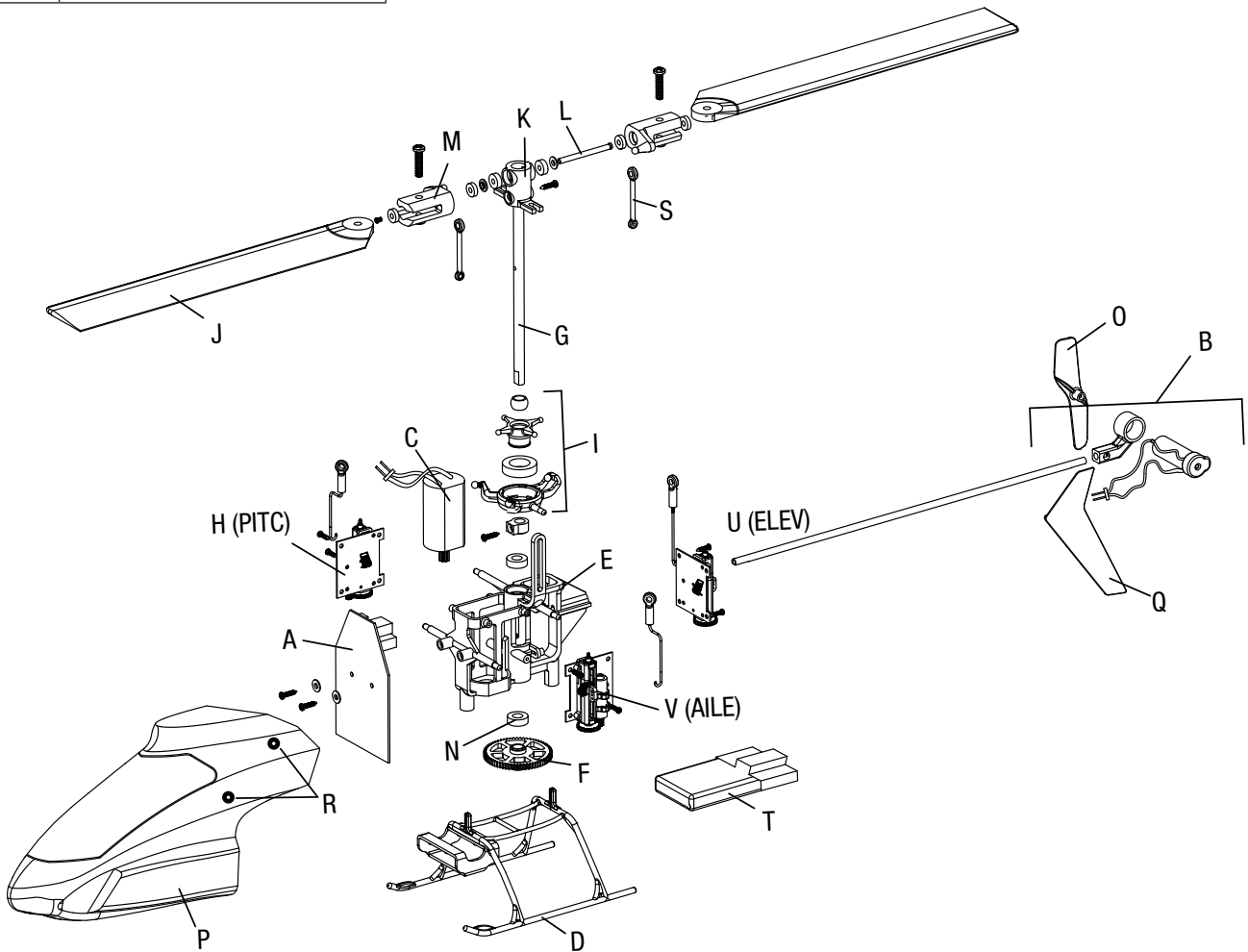
# mCP X



Part #	Description
A	BLH3501 Flybarless 3-in-1 Control Unit, Receiver/ESCs/Gyros: mCP X
B	BLH3502 Tail Boom Assembly with Tail Motor/Rotor/Mount: mCP X
C	BLH3503 Main Motor with Pinion: mCP X
D	BLH3504 Landing Skid and Battery Mount: mCP X
E	BLH3505 Main Frame with hardware: mCP X
F	BLH3506 EFLH3006 Main Gear: BMSR, mCP X
G	BLH3507 Carbon Fibre Main Shaft with Collar and Hardware: mCP X
H	BLH3508 Servo Pushrod Set with Ball Links (3): mCP X

Part #	Description
I	BLH3509 Complete Precision Swashplate: mCP X
J	BLH3510 High-performance Main Rotor Blade Set with Hardware: mCP X
	BLH3511 Fast Flight Main Rotor Blade Set with Hardware: mCP X ( <i>not shown</i> )
K	BLH3512 Main Rotor Hub with Hardware: mCP X
L	BLH3513 Feathering Spindle with O-rings, Bushings, and Hardware: mCP X
M	BLH3514 Main Blade Grips with Bearings: mCP X
N	BLH3515 EFLH2215 Main Shaft Bearing 3x6x2mm(2):BMCX/2/MSR, FHX, MH-35, mCP X

**BLH3500UK1**  
Mode1 Blade mCP X RTF  
**BLH3500UK2**  
Mode 2 Blade mCP X RTF  
**BLH3580UK**  
Blade Ultra Micro mCP X BnF



Part #	Description
O	BLH3517 EFLH3017 Tail Rotor (1): BMSR, mCP X
P	BLH3518 Complete Red Canopy with Vertical Fin: mCP X
Q	BLH3520R Red Vertical Fin with Decal: mCP X
R	BLH3521 EFLH3021 Canopy Mounting Grommets (8): BMCX2/T, MSR, FHX, MH-35, mCP X
S	BLH3522 Rotor Head Linkage Set (8): mCP X
	BLH3523 Hardware Set: mCP X ( <i>not shown</i> )
T	EFLB 2001S25 200mAh 1S 3.7V 25C LiPo Battery
	EFLA 7002UM 1s High Current Ultra-Micro Battery Adaptor Lead ( <i>not shown</i> )

Part #	Description
U	SPMAS 2000LBB 1.8-Gram Linear Ultra Micro Servo
V	SPM6833 1.8-Gram Linear Ultra Micro Servo Replacement Servo Mechanics
	EFLC1005 AC to 6VDC 1.5-Amp Power Supply (US) ( <i>not shown</i> )
	EFLC 1005UK AC to 6VDC 1.5-Amp Power Supply (UK) ( <i>not shown</i> )
	EFLC 1005EU AC to 6VDC 1.5-Amp Power Supply (EU) ( <i>not shown</i> )
	EFLC 1005AU AC to 6VDC 1.5-Amp Power Supply (AU) ( <i>not shown</i> )
	EFLC1006 Celectra 1S 3.7 Variable Rate DC LiPo Charger ( <i>not shown</i> )

Part #	Description
BLH3519	Complete Green Canopy with Vertical Fin: mCP X ( <i>not shown</i> )
BLH3520G	Green Vertical Fin with Decal ( <i>not shown</i> )

# BLADE