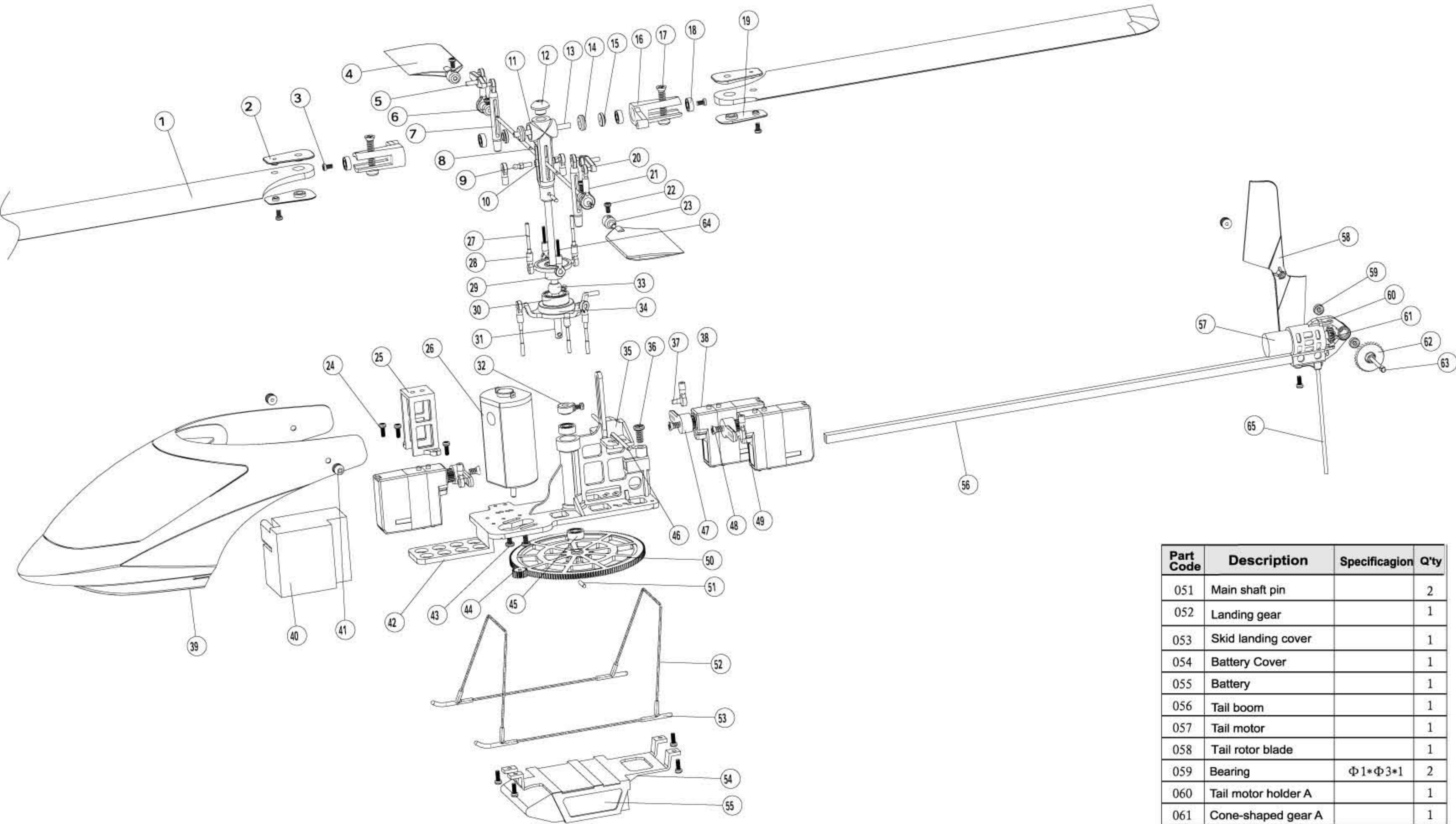


4G3



Part Code	Description	Specificagion	Q'ty
001	Main Blade		2
002	Blade plastic holer A		2
003	Cross recessed pan head screw	PM1.0*2	2
004	Flybar paddle		2
005	Main blade bellcrank locating pin		2
006	Flybar Steering Ball		2
007	Ball Linkage Joint		2
008	Flybar blade rod		1
009	Metal ball C		2
010	Steering rod		1
011	Sleeve of Rotor Head		1
012	Blade arrester		1
013	Main blade shaft		1
014	Blade holder rubber ring		2
015	Blade holder rubber ring B		2
016	Main Blade Holder		2
017	Cross Recessed Countersunk Flat Head Screw	KB2*8	2
018	Bearing	Φ1.5*Φ4*1.35	4
019	Blade plastic holder B		2
020	Main Blade bellcrank		2
021	Double-ball linkage		2
022	Cross recessed pan head screw	PM1.2*2	4
023	Flybar Connector		2
024	Cross recessed pan head tapping screw	PB1.2*2.5	11
025	Servo holder D		1
026	Motor		1
027	Pull linkage 2		5
028	Ball sleeve		9
029	Swashplate body (Upper)		1
030	Bearing	Φ5*Φ8*2.5	1
031	Main shaft		1
032	Main shaft holder		1
033	Swashplate holding ball		1
034	Swashplage (Bottom)		1
035	Servo holder C		1
036	Cross recessed pan head tapping screw	PM2* 4	1
037	Metal ball A		3
038	Servo		3
039	Canopy		1
040	Reveiver		1
041	Canopy Rod Cap		3
042	Main Frame		1
043	Cross recessed pan head tapping screw	PM1.4*3	2
044	Motor Gear		1
045	Bearing	Φ2*Φ5*2	2
046	Canopy rod		1
047	Servo bellcrank		3
048	Cross Recessed Countersunk Flat Head Screw	KB1.7*3	3
049	Ball Linkage Joint		3
050	Motor Main Gear		1
051	Main shaft pin		2
052	Landing gear		1
053	Skid landing cover		1
054	Battery Cover		1
055	Battery		1
056	Tail boom		1
057	Tail motor		1
058	Tail rotor blade		1
059	Bearing	Φ1*Φ3*1	2
060	Tail motor holder A		1
061	Cone-shaped gear A		1
062	Cone-shaped gear B		1
063	Tail shaft		1
064	Pull linkage 1		2
065	Tail knighthead		1

Part Code	Description	Specificagion	Q'ty
051	Main shaft pin		2
052	Landing gear		1
053	Skid landing cover		1
054	Battery Cover		1
055	Battery		1
056	Tail boom		1
057	Tail motor		1
058	Tail rotor blade		1
059	Bearing	Φ1*Φ3*1	2
060	Tail motor holder A		1
061	Cone-shaped gear A		1
062	Cone-shaped gear B		1
063	Tail shaft		1
064	Pull linkage 1		2
065	Tail knighthead		1