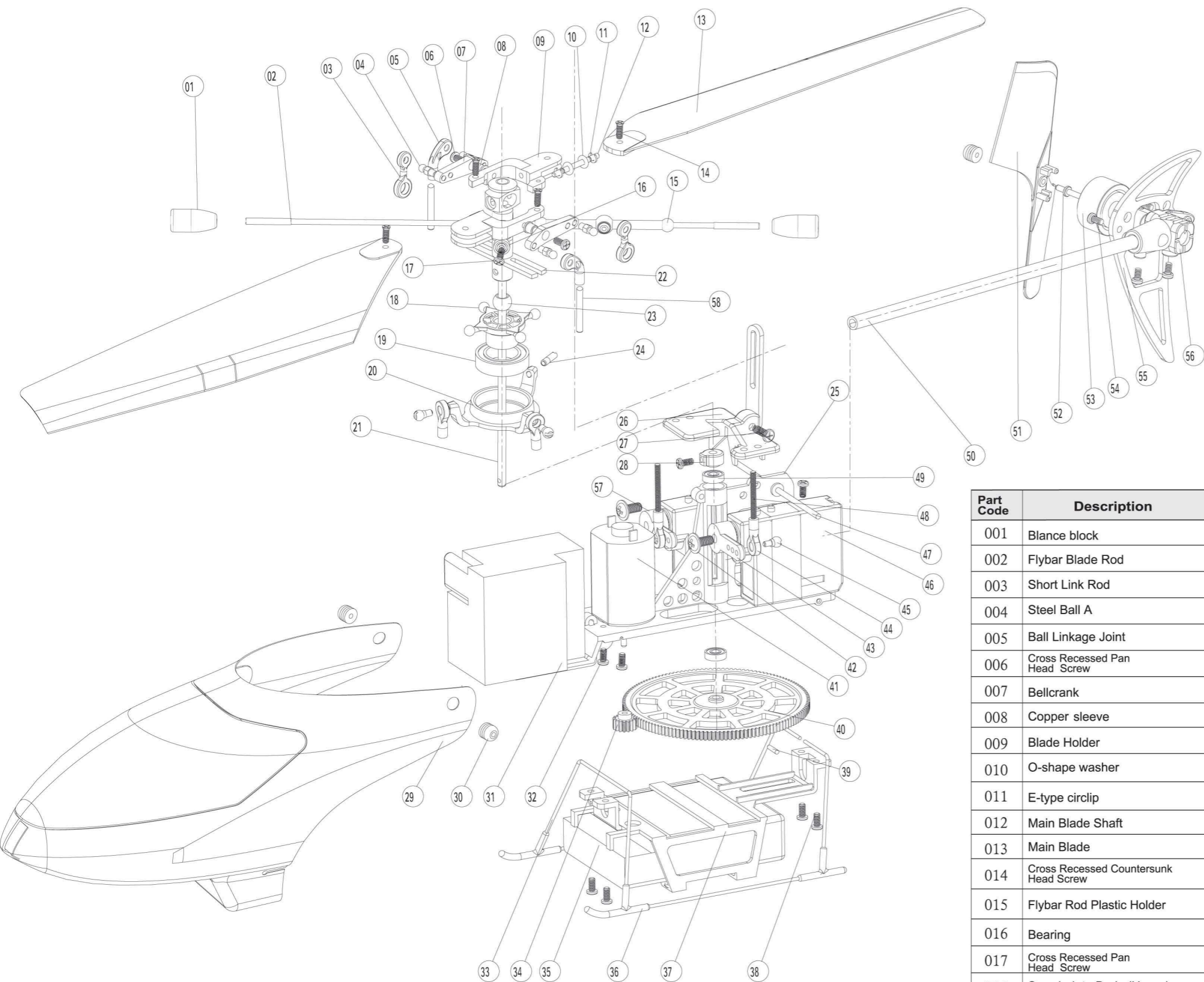


CB 100



Part Code	Description	Specification	Q'ty
001	Blance block		2
002	Flybar Blade Rod		1
003	Short Link Rod		2
004	Steel Ball A		4
005	Ball Linkage Joint		2
006	Cross Recessed Pan Head Screw	PM1.2*3.5	2
007	Bellcrank		2
008	Copper sleeve		2
009	Blade Holder		2
010	O-shape washer		2
011	E-type circlip		2
012	Main Blade Shaft		1
013	Main Blade		2
014	Cross Recessed Countersunk Head Screw	KM1*3	4
015	Flybar Rod Plastic Holder		1
016	Bearing	Φ1*Φ3*1	2
017	Cross Recessed Pan Head Screw	PM1.0*3	2
018	Swashplate Body (Upper)		1
019	Bearing	Φ1*Φ3*1	1

Part Code	Description	Specification	Q'ty
020	Swashplate Body (Lower)		1
021	Main Shaft		1
022	Rotor Head		1
023	Aluminum Ball		1
024	Steering Rod		1
025	Main Frame		1
026	Servo Holder		1
027	Cross Recessed Pan Head Tapping Screw	PB1.4*3	1
028	Locking sleeve		1
029	Canopy (A/B/C)		1
030	Canopy Rod Cap		3
031	Receiver		1
032	Cross Recessed Pan Head Screw	PM1.4*3	2
033	Landing steel rod		1
034	Motor Gear		1
035	Battery		1
036	Skid landing sleeve		1
037	Battery Holder		2
038	Cross Recessed Pan Head Tapping Screw	PB1.2*2.5	10
039	Pin		2
040	Main Motor Gear		1
041	Motor		1
042	Cross Recessed Countersunk Head Tapping Screw	KB1.7*3	2
043	Servo Bellcrank		1
044	Ball Linkage Joint		6
045	Steel Ball		4
046	3g- 2 Servo		2
047	Canopy Rod		1
048	Ball Linkage A		2
049	Bearing	Φ1.5*Φ4*2	2
050	Tail Boom		1
051	Tail Rotor Blade		1
052	Tail motor copper sleeve		1
053	Tail brushless motor		1
054			
055	Tail Knighthead		1
056	Tail brushless motor holder		1
057	Servo Bellcrank A		1
058	Ball Linkage A		2