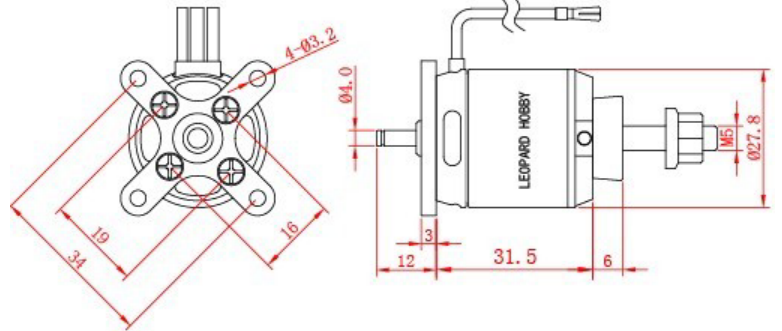


# LEOPARD LC2835-4T 1880kV



## LC2835 Spezifikation

Durchmesser / Länge : 27,8mm × 35mm

| Modell    | KV   | Max Belastung (A) | Propeller | Volt | Current (A) | Zug (g) | Kraft (w) | Dauerbelastung (A) | Gewicht (g) | Durchmesser Welle (mm) |
|-----------|------|-------------------|-----------|------|-------------|---------|-----------|--------------------|-------------|------------------------|
| LC2835-4T | 1880 | 39                | 7*5       | 7.4  | 14          | 400     | 104       | 33.5               | 68          | 4                      |
|           |      |                   |           | 8.4  | 17          | 550     | 143       |                    |             |                        |
|           |      |                   |           | 11.1 | 27          | 800     | 300       |                    |             |                        |
|           |      |                   |           | 12.6 | 36          | 1000    | 454       |                    |             |                        |
|           |      |                   | 8*4,3     | 7.4  | 20          | 870     | 148       |                    |             |                        |
|           |      |                   |           | 8.4  | 23          | 1060    | 193       |                    |             |                        |
|           |      |                   |           | 11.1 | 30          | 1400    | 333       |                    |             |                        |