

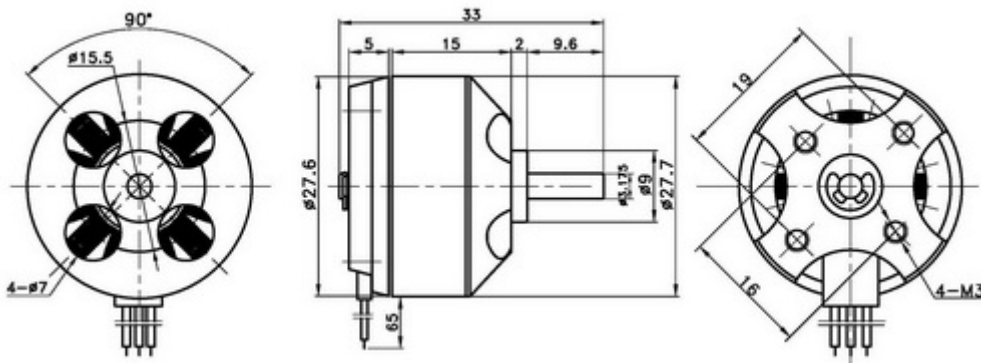
RCX A2822-8 2600KV Outrunner Brushless Motor (Airplane / Free Mounts)



Details

Manufacturer: RCX-HOBBY
Model: RCX07-055

More Details



Specification

- Model: RCX A2822-14
- Motor size: $\Phi 28 \times 22$ mm
- Shaft size: $\Phi 3.175 \times 33$ mm
- Weight: 38g
- KV(rpm/v): 2600
- Max Power: 260W
- Max Current: 24A
- Max Pull (Approx.): 850g
- Suitable Propeller: 7x3/6x4
- Suitable Battery: 2-3S Li-Po
- Suitable ESC(A): 30A
- Ri(M Ω): 0.044